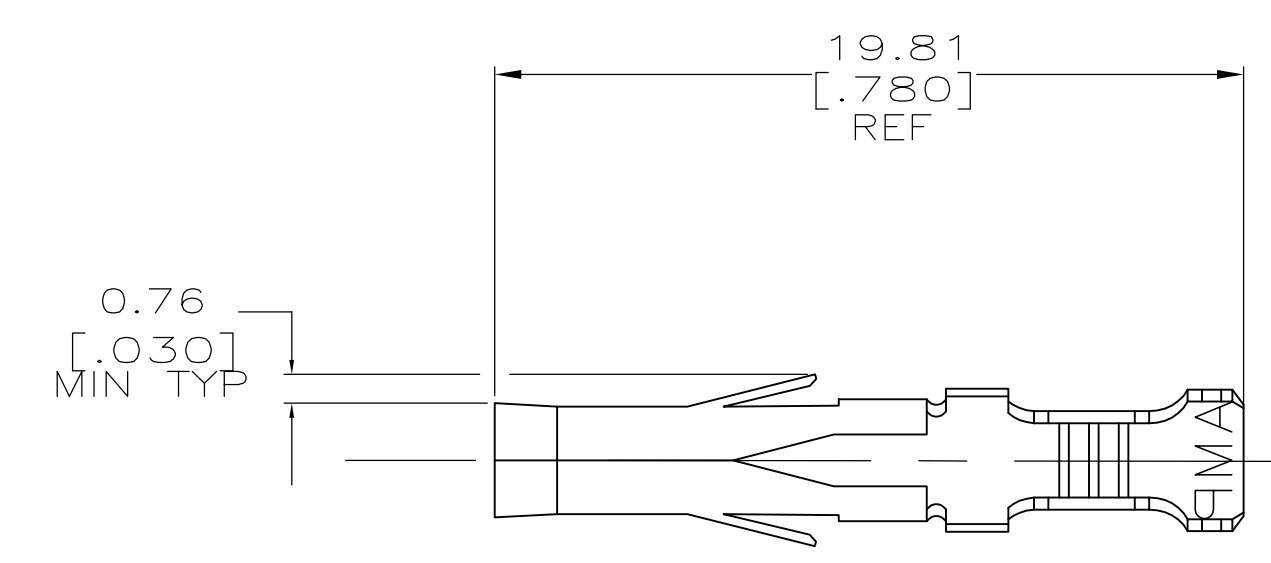
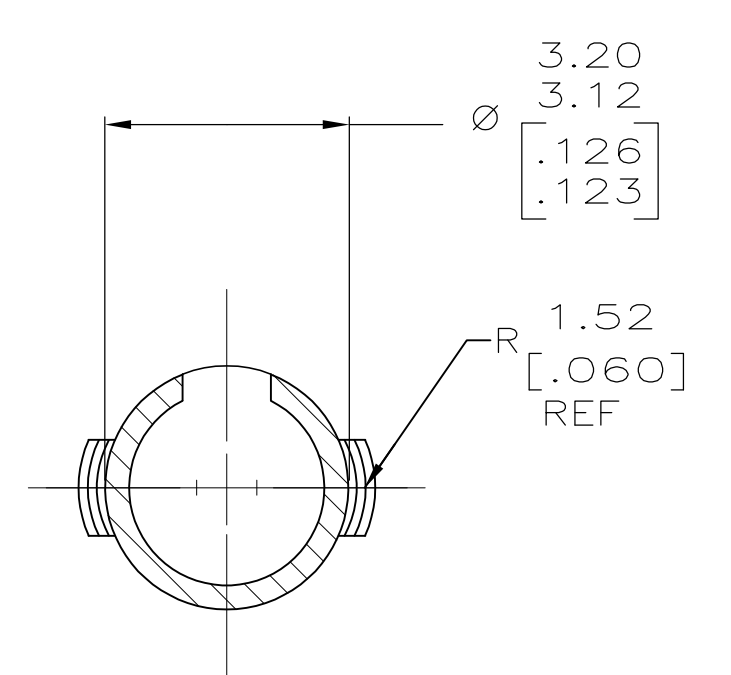
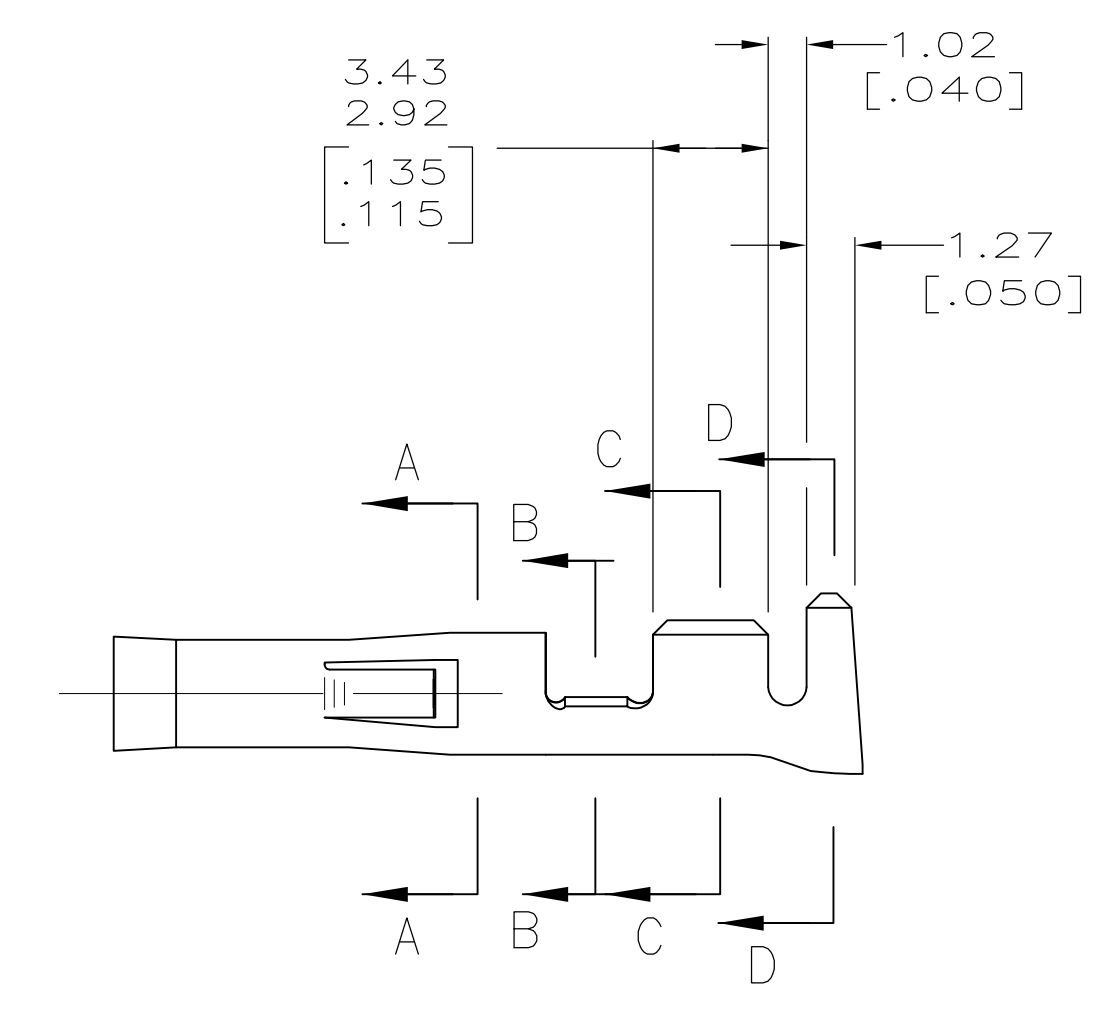
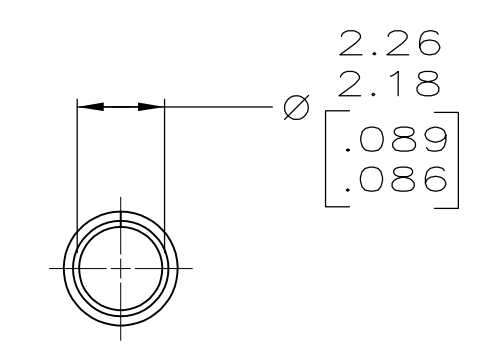


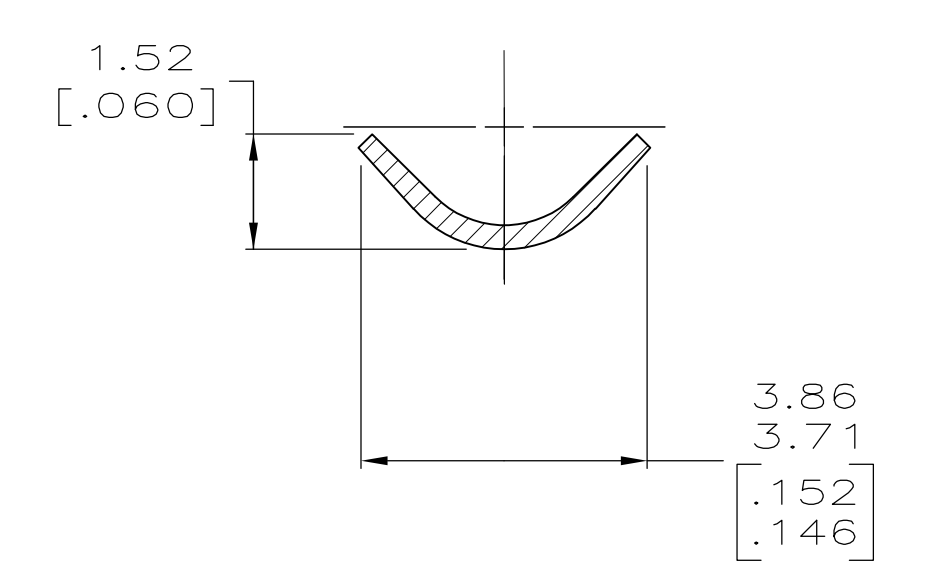
LOC		DIST		REVISIONS			
CM	0	REV	DESCRIPTION	DATE	BY	APPV	
F			ECO-07-014387	19JUN07	KW	CC	



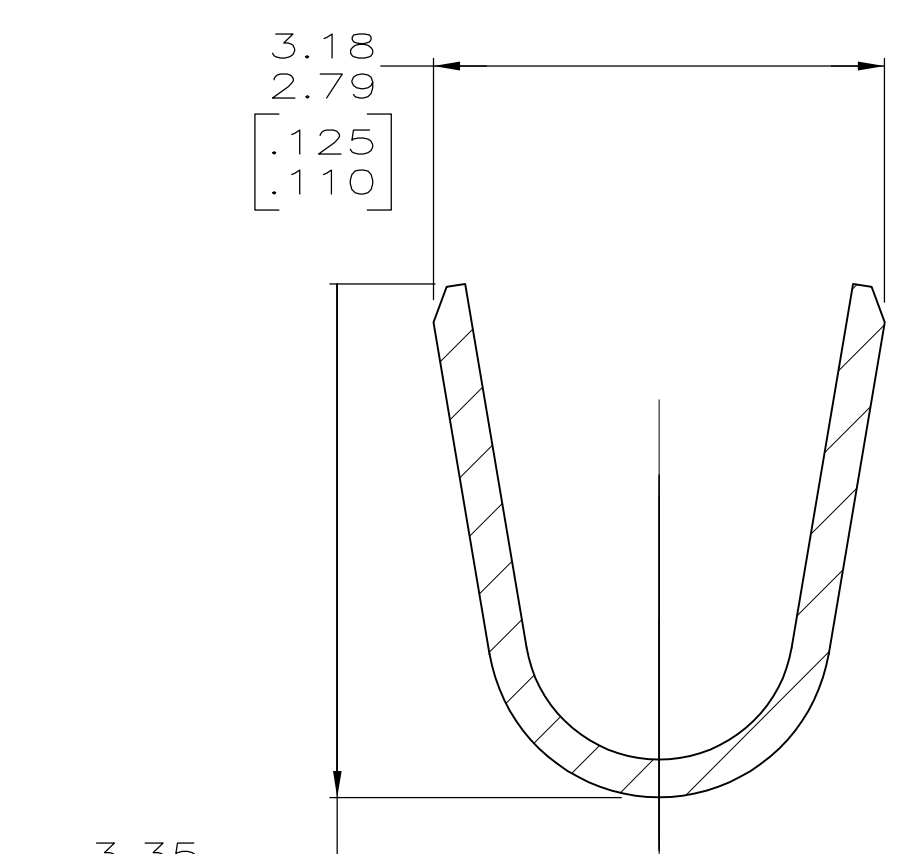
- 1. 0.00127 [.000050] NICKEL PLATE WITH 0.00076 [.000030] GOLD PLATE ON INSIDE OF RECEPTACLE.
- 2. WIRE RANGE: 0.5-2mm² (20-14 AWG).
- 3. INSULATION RANGE: 3.56 [.140] MAX. DIA.
- 4. DIMENSIONS IN BRACKETS ARE IN INCHES.



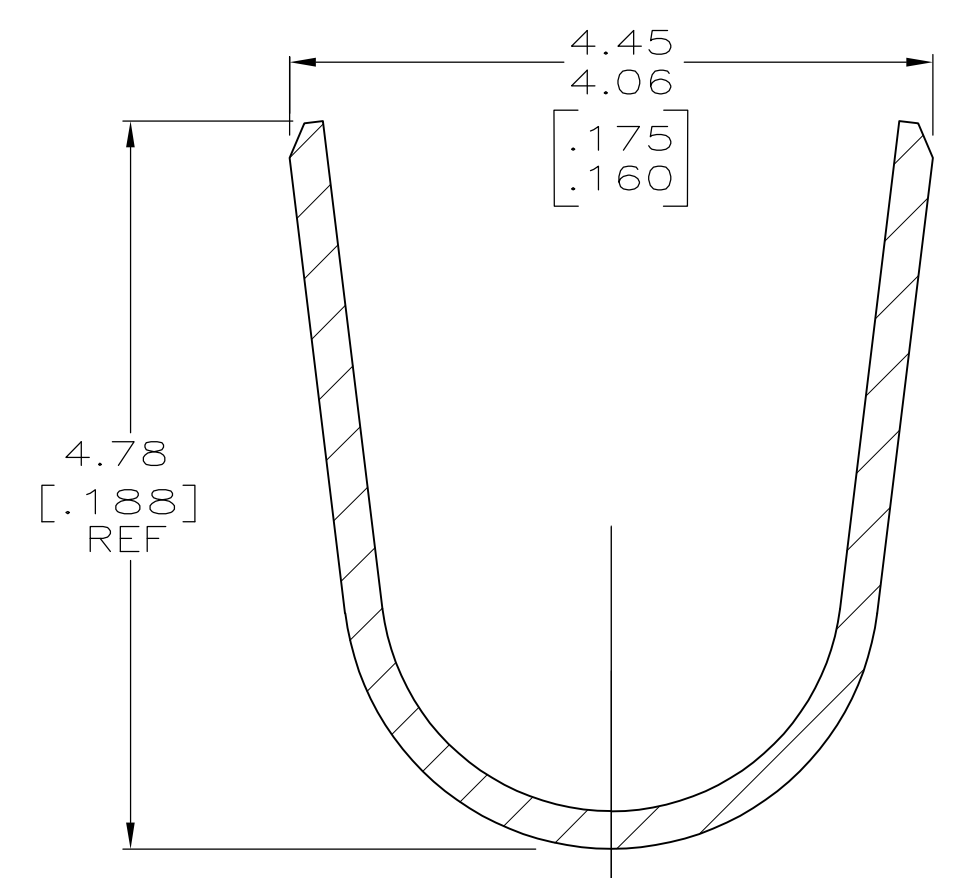
SECTION A-A
SCALE 10:1



SECTION B-B
SCALE 10:1



SECTION C-C
SCALE 10:1



SECTION D-D
SCALE 10:1



PRE-TIN	0.25 [.010] PHOS BRZ	770144-6
△	0.25 [.010] BRASS	770144-5
PRE-TIN	0.25 [.010] BRASS	770144-1
FINISH	MATERIAL	PART NO

THIS DRAWING IS A CONTROLLED DOCUMENT.		DIN K. WHITAKER 19JUN2007		Tyco Electronics Corporation Harrisburg, PA 17105-3608	
DIMENSIONS: mm [INCHES]		TOLERANCES UNLESS OTHERWISE SPECIFIED:		Tyco Electronics Corporation	
0. PLC ± -		1. PLC ± -		NAME: SOCKET, .093, LOOSE PIECE, COMMERCIAL PIN AND SOCKET	
2. PLC ± 0.13 [.005]		3. PLC ± -		RESTRICTED TO	
4. PLC ± -		ANGLES ± -		SIZE: A1	
MATERIAL: SEE TABLE		FINISH: SEE TABLE		WEIGHT: -	
CUSTOMER DRAWING		SCALE: 5:1		SHEET 1 OF 1	